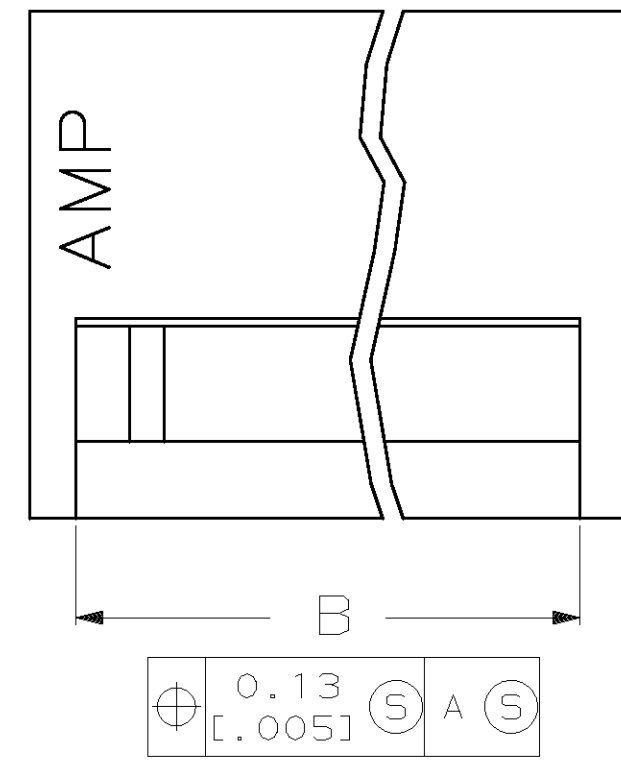
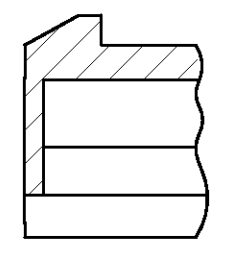
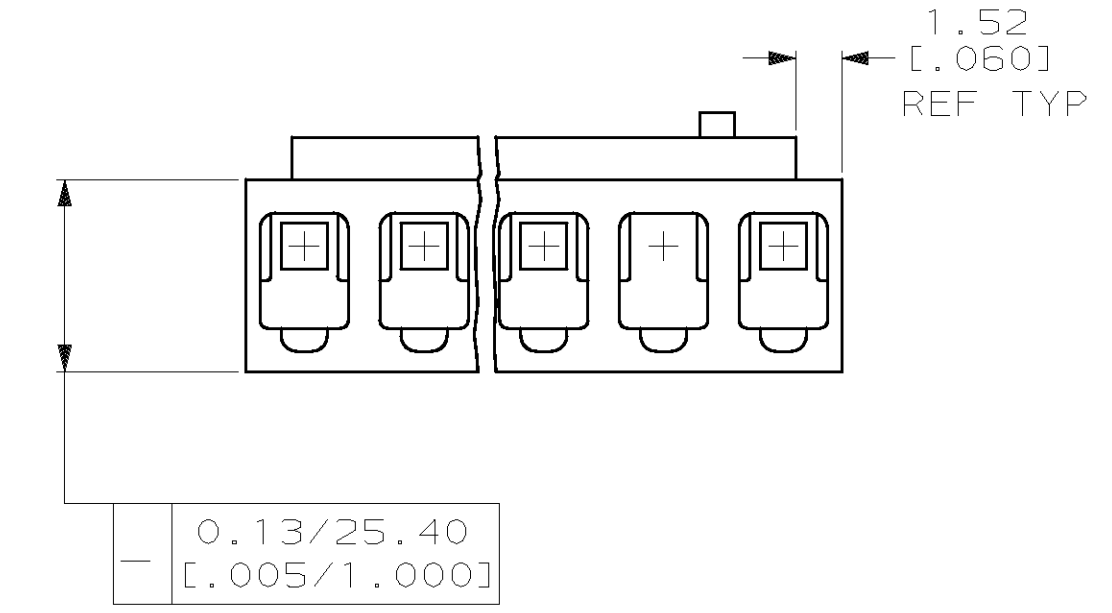
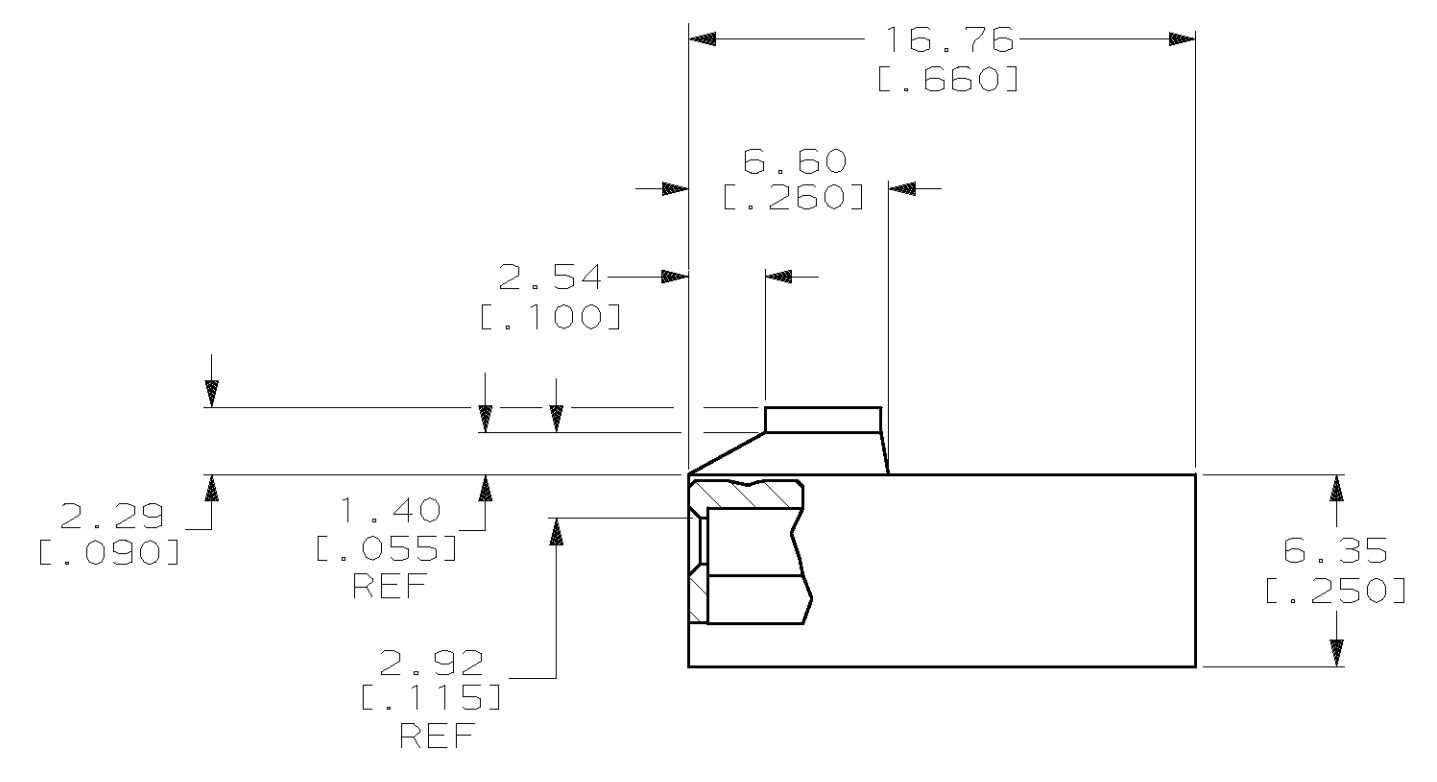
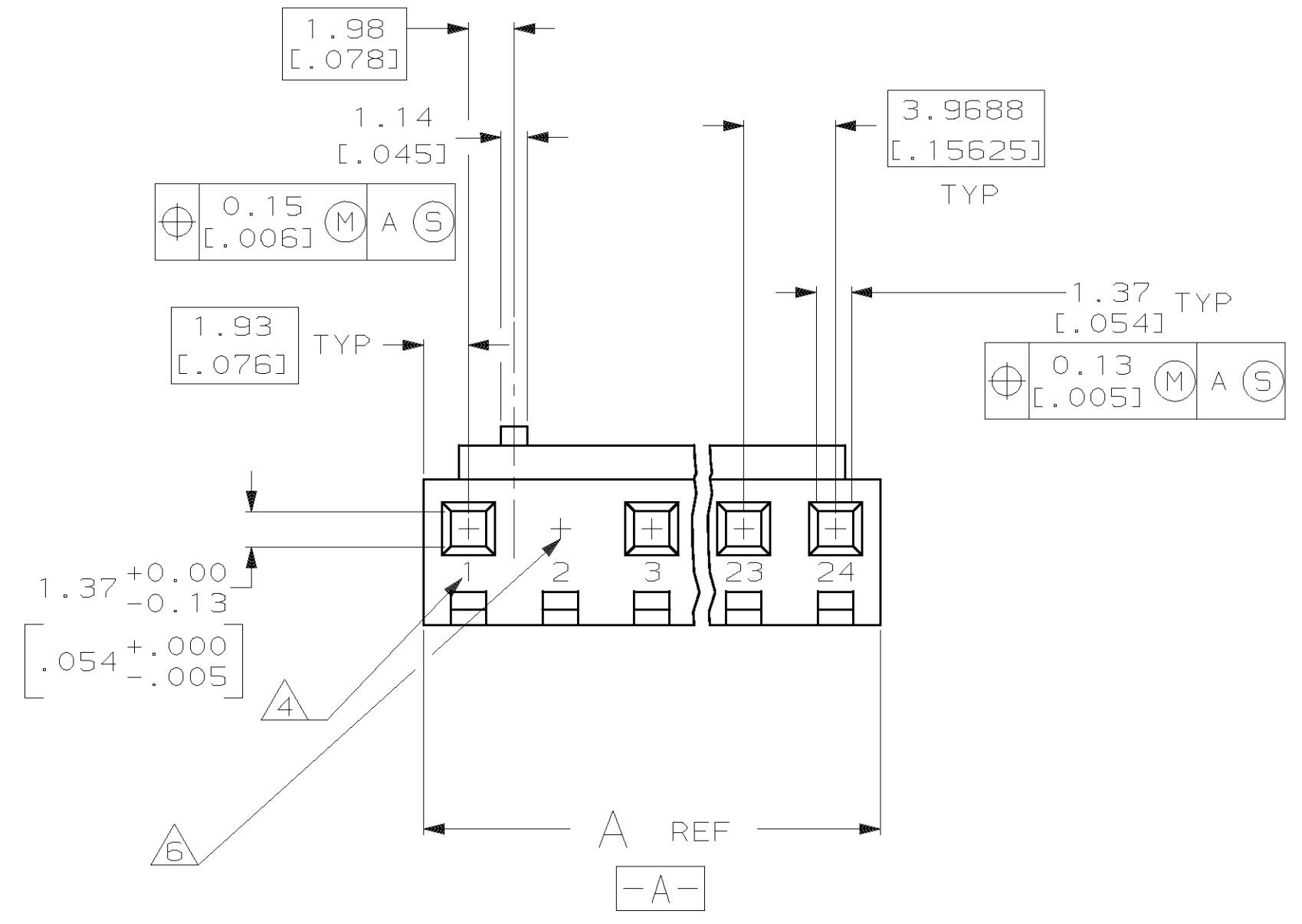


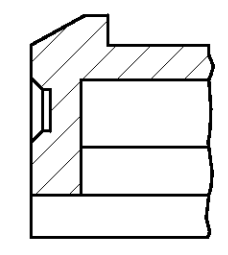
LOC		DIST		ZONE		LTR		REVISIONS		
CM	54	P	F					DESCRIPTION	DATE	APPD
								0 RLSD PER PR CM 97-121	11-20-97	BL RS



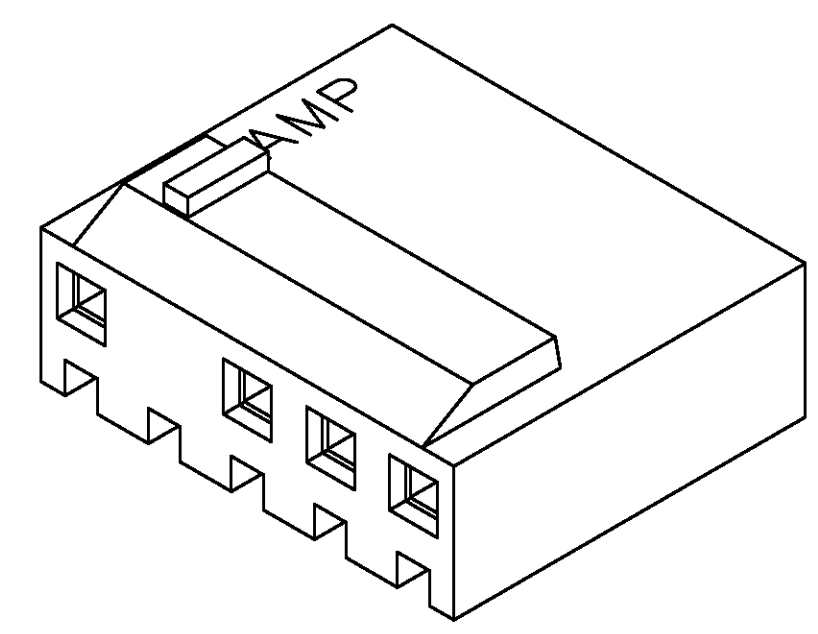
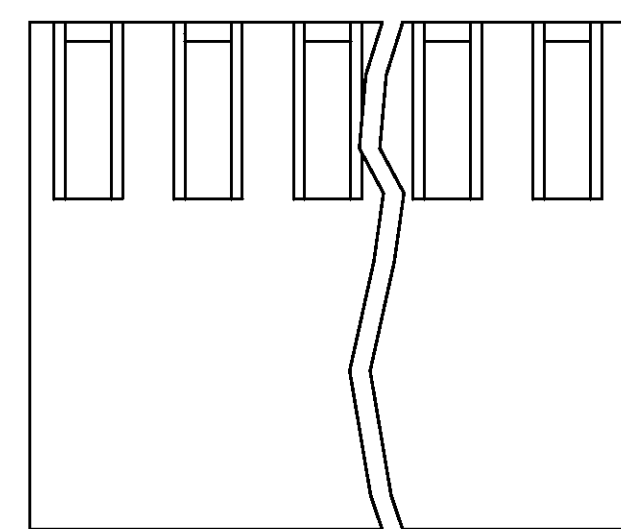
- UNIT ACCEPTS 1.14 [.045] SQUARE OR ROUND POST.
- UNIT ACCEPTS STANDARD SL-156 CONTACTS.
- UNIT ACCEPTS KEYING PLUG 640254-1 AND KEYING PIN 640255-1.
- CIRCUIT ID NUMBERS.
- DIMENSIONS IN BRACKETS ARE IN INCHES.
- CIRCUIT 2 IS MOLDED CLOSED, USING EITHER OPTION A OR OPTION B.



OPTION A



OPTION B



3-DIMENSIONAL MODEL
NTS

METRIC

12.70 [.500]	15.77 [.621]	4	647171-4
B		A	NO. OF CIRCUITS
			PART NO.

DO NOT SCALE PRINT. UNLESS SPECIFIED DIMENSIONS IN mm [INCHES] TOLERANCES ON:	DR 11-20-97 B. LEWIS
2 PLC DEC ±	CHK 11-20-97 R. SWING
3 PLC DEC ± 0.13 [.005]	APPD 11-20-97 B. GENTRY
ANGLES ±	APPD 11-20-97 B. GENTRY
MATERIAL	PRODUCT SPEC
NYLON, UL 94V-0 NATURAL	-
FINISH	APPLICATION SPEC
-	-
WEIGHT	-

AMP AMP Incorporated Harrisburg, PA 17105-3608	
NAME HOUSING WITH .260 LOCKING RAMP AND A TAB, NO.2 CIRCUIT CLOSED, SL-156	
SIZE D	CAGE CODE 00779
DRAWING NO. 647171	SHEET 1 OF 1
SCALE 4:1	